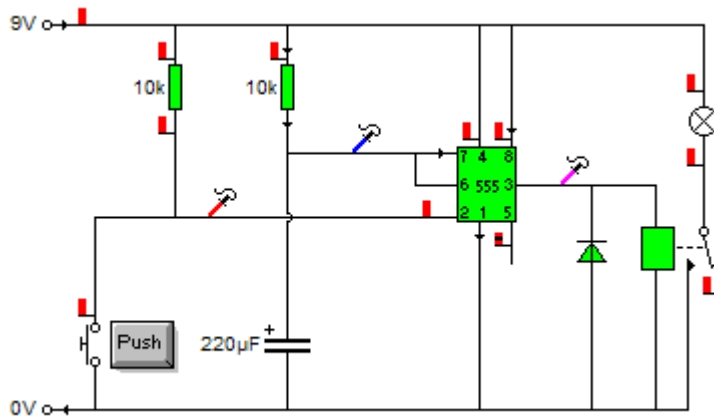


Timer Project Crocodile Clips Example

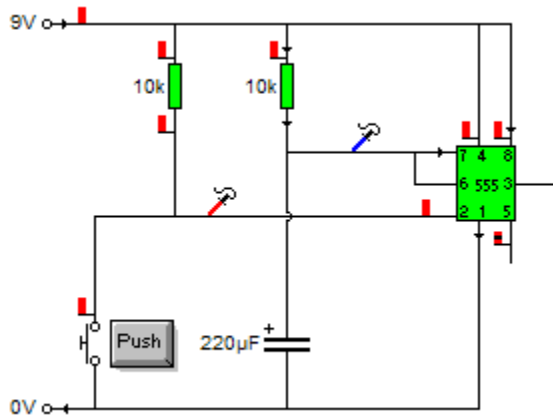
Step 1

Copy the example file into a new blank file



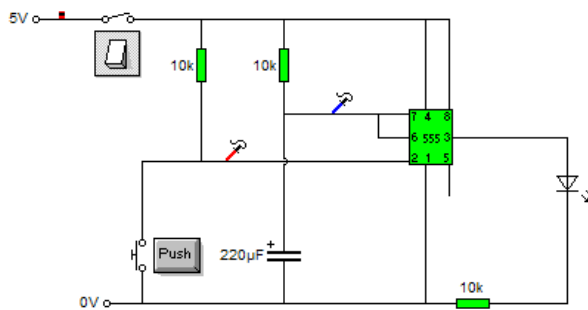
Step 2

Delete the lamp, relay and diode as these are not needed

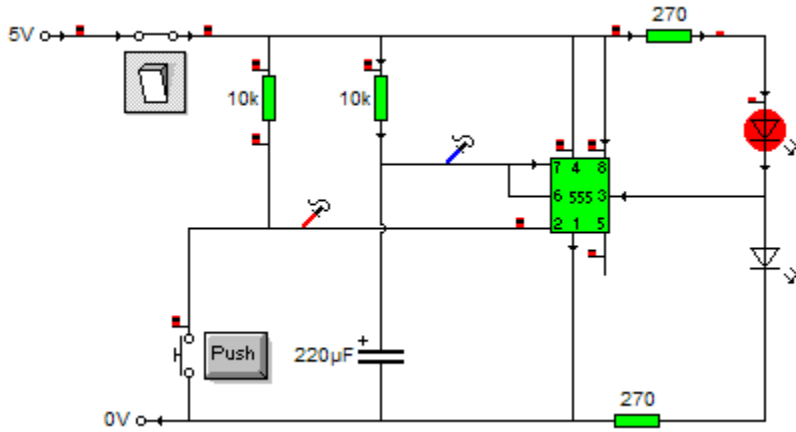


Step 3

Add a switch and LED with resistor, why is the resistor used? Add a power switch



Step 4
Add a second resistor



Now try and add a buzzer and adjust the time to suit your needs.