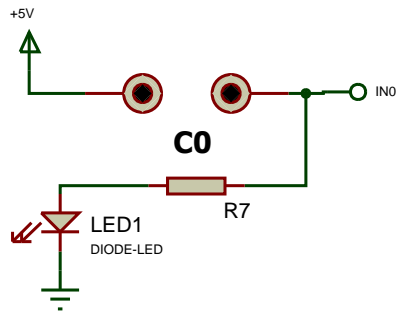
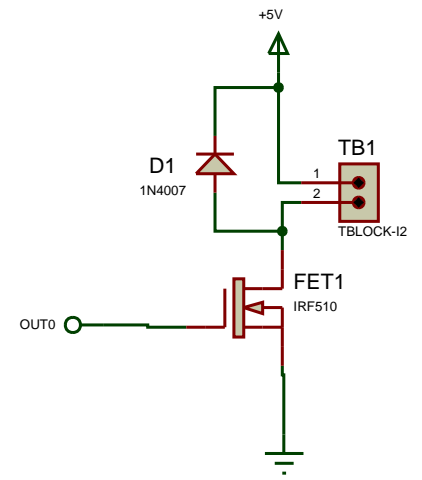
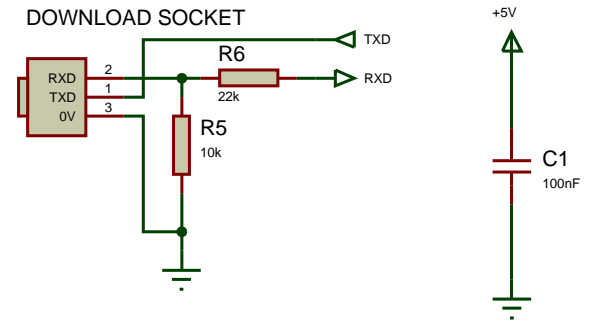
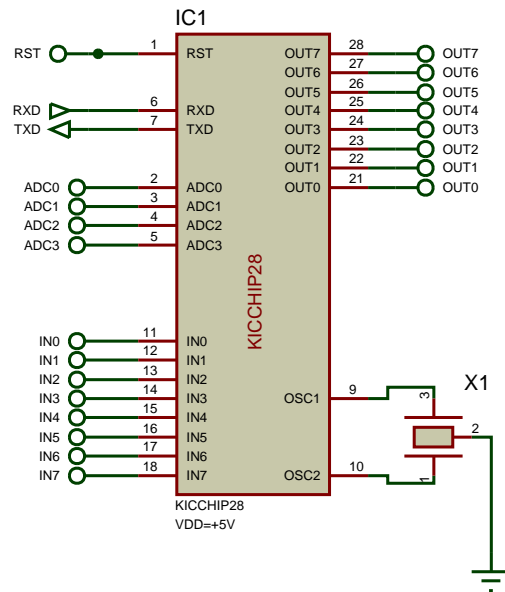
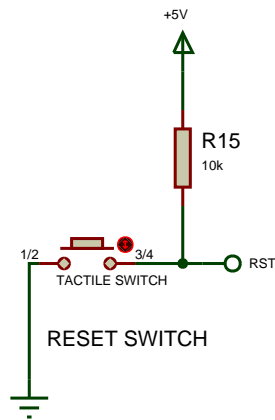


PORTA inputs
this is repeated for A1 to A3



PORTC inputs/outputs
this is repeated for C1 to C7



PORTB outputs
this is repeated for B1 to B7