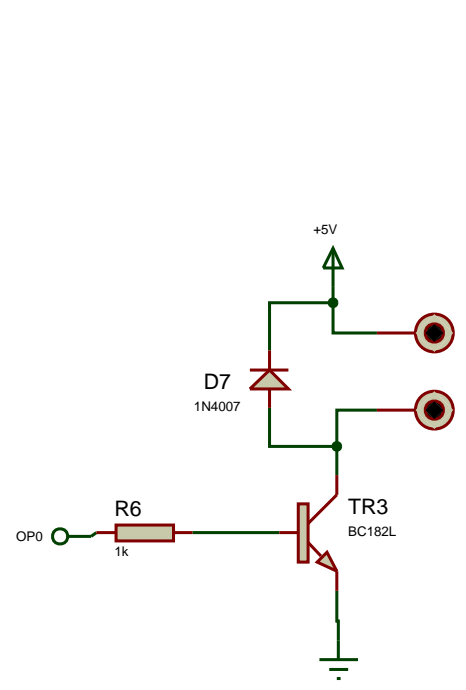
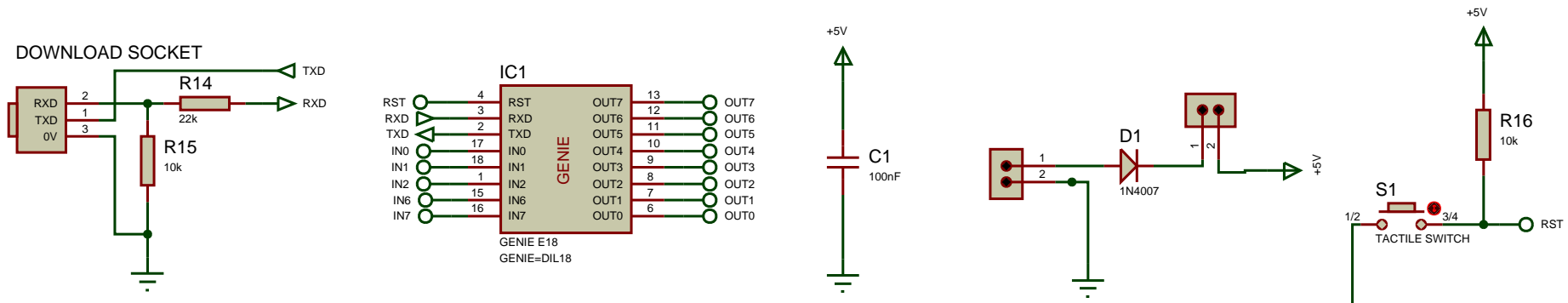
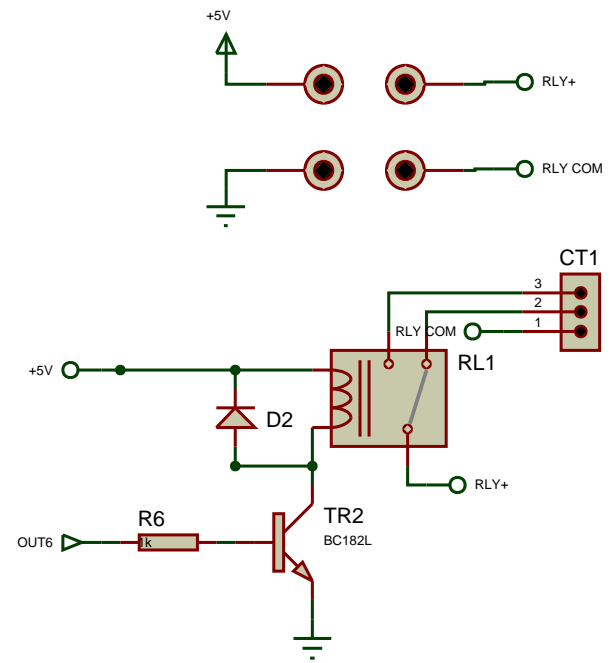


RKP18Relay Project PCB Schematic - www.rkeducation.co.uk

This PCB has been designed to be compatible with Genie and PICAXE



Transducer driver outputs
This is repeated for OP1 to OP3



Relay outputs
This is repeated for REL2

