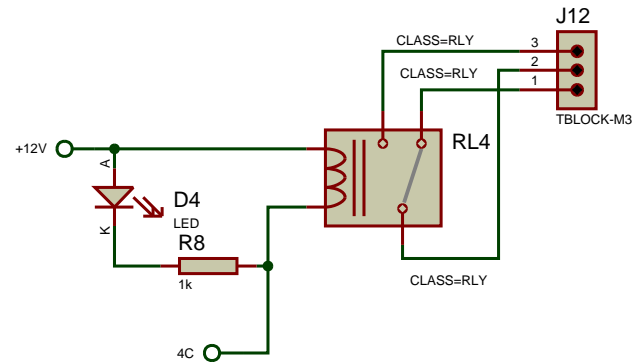
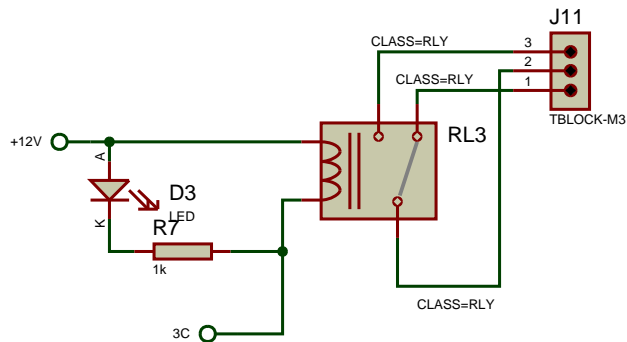
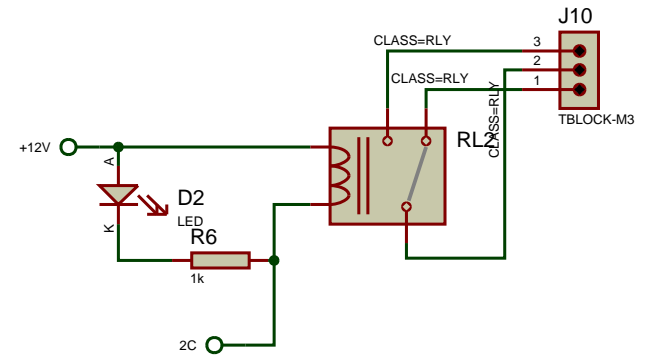
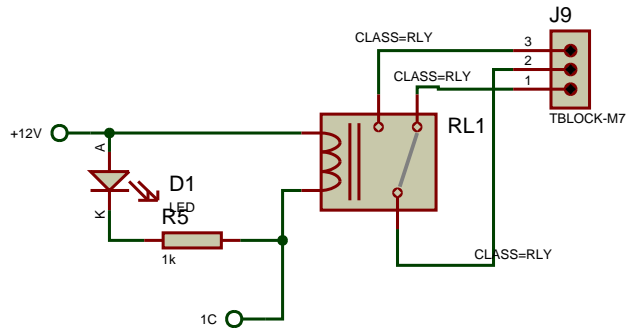


RKRelay8 Project PCB Schematic Sheet 1 - www.rkeducation.co.uk

This PCB has been designed to be compatible with Genie and PICAXE



RKP18Relay8 Project PCB Schematic Sheet 2 - www.rkeducation.co.uk

This PCB has been designed to be compatible with Genie and PICAXE

RKP18Rekey8 Project PCB Schematic Sheet 3 - www.rkeducation.co.uk

This PCB has been designed to be compatible with Genie and PICAXE

