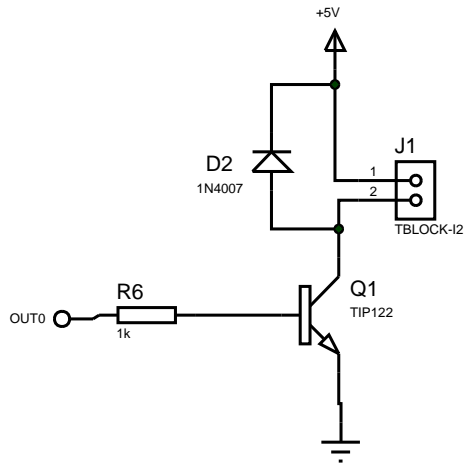
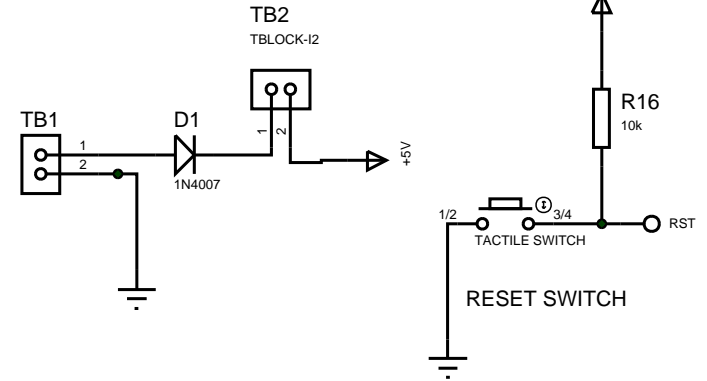
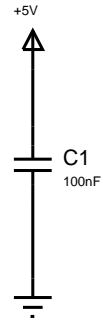
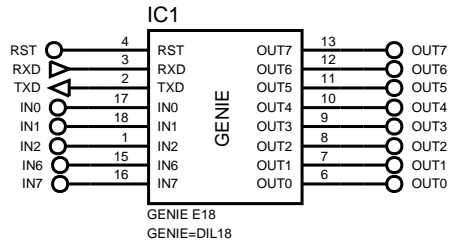
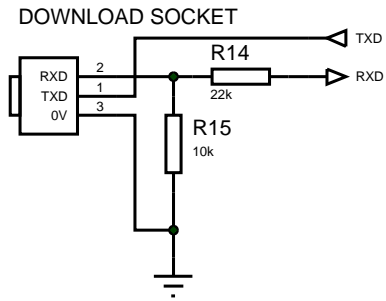


RKP18HP High Power Project PCB Schematic - www.rkeducation.co.uk

This PCB has been designed to be compatible with Genie and PICAXE



Transducer driver outputs, this is repeated for OUT1 to OUT7

