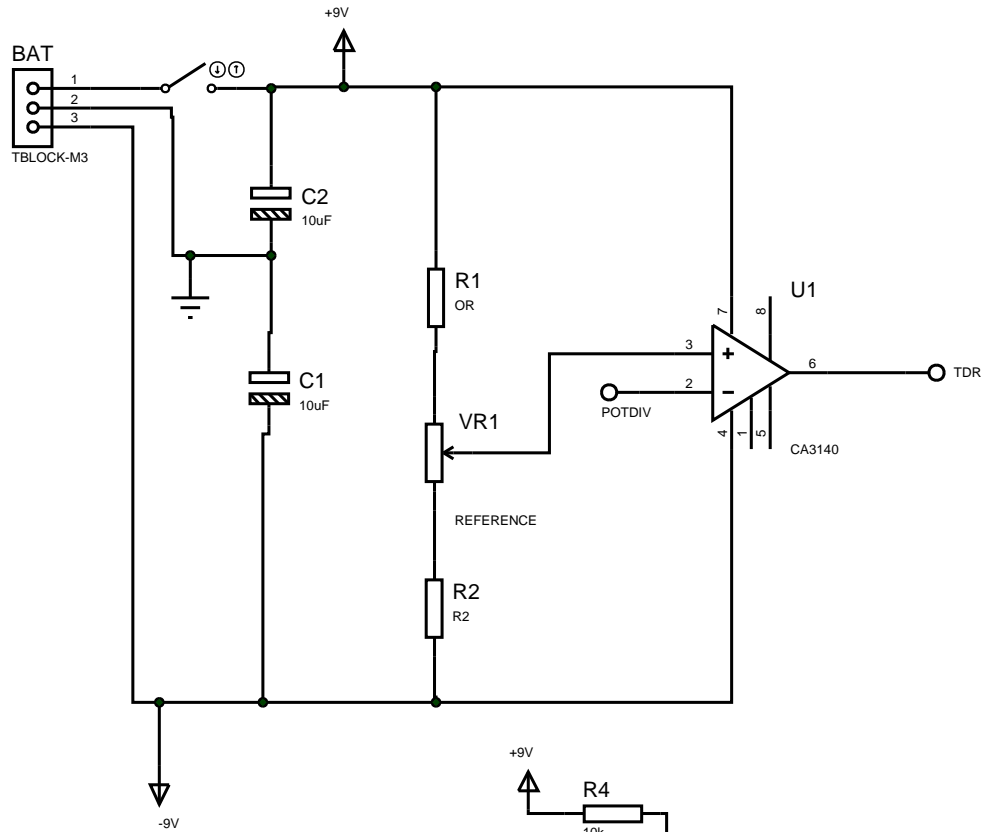
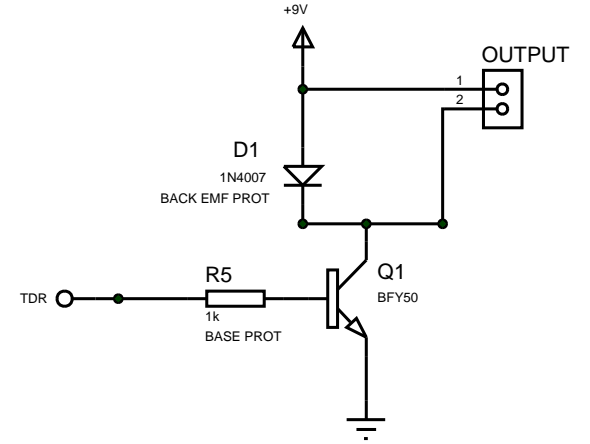


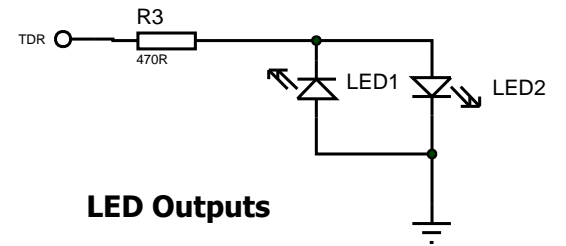
# Op-Amp Comparator Project Schematic - [www.rkeducation.co.uk](http://www.rkeducation.co.uk)



**INPUT POTENTIAL DIVIDER**



**Transducer Driver Circuit**



**LED Outputs**