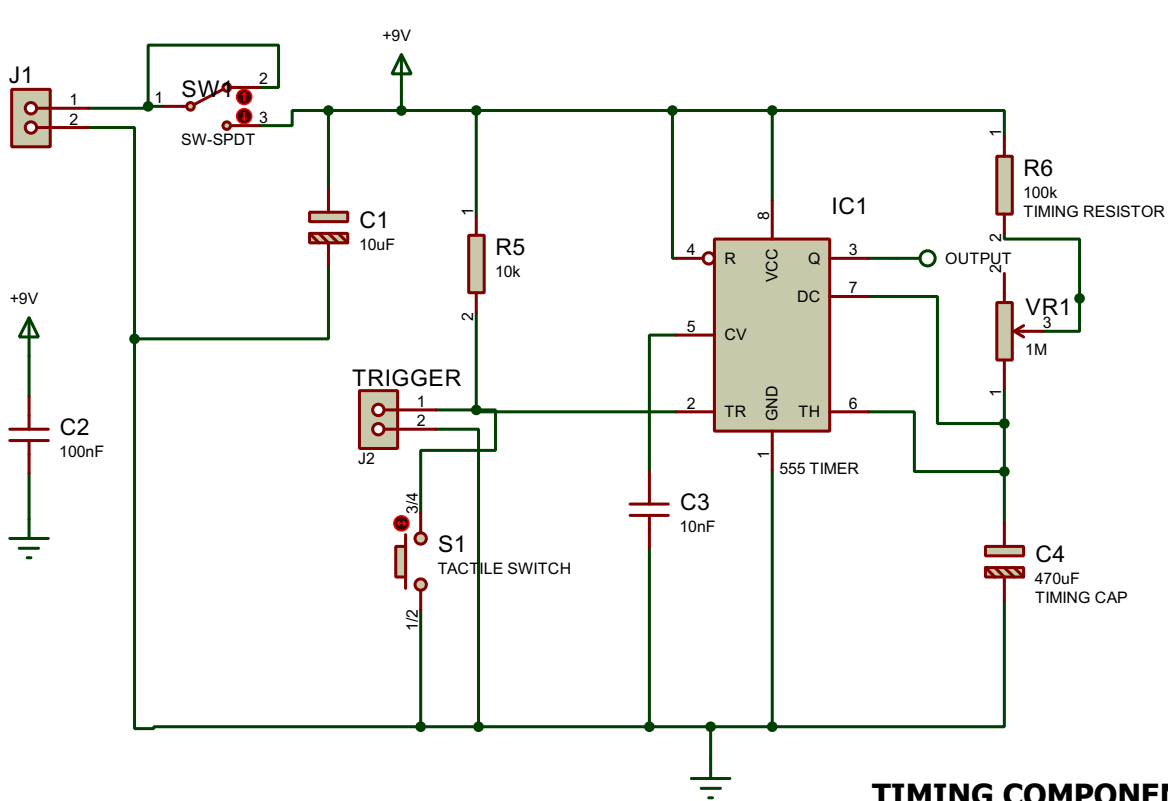
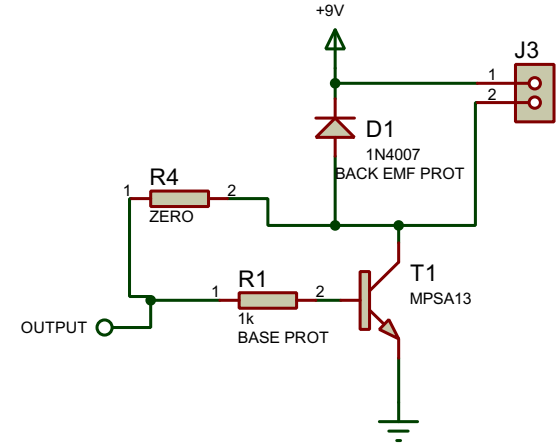


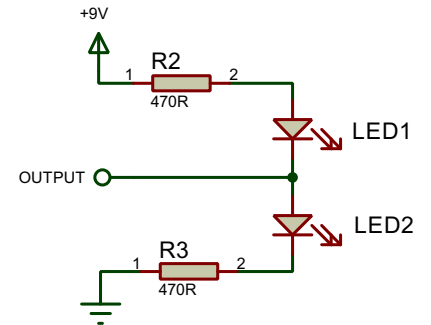
555 Monostable Timer Project V2 Schematic - www.rkeducation.co.uk



**TIMING COMPONENTS
THESE MAY BE VARIED**
 $t(S) = 1.1 (R \times C)$



Transducer Driver Circuit



LED Outputs