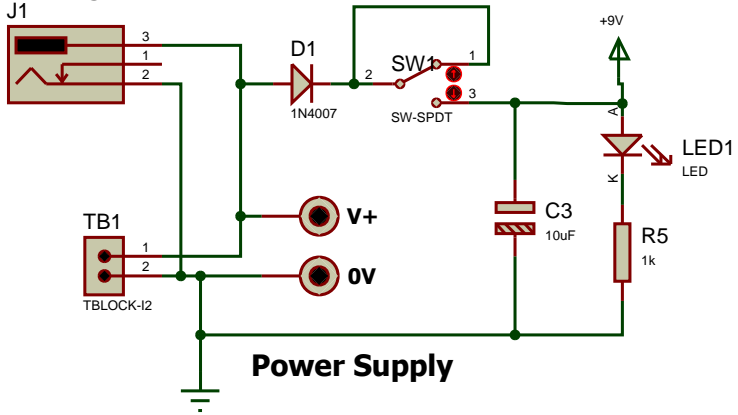


+9VDC Regulated



Transistor Astable Training PCB Schematic - www.rkeducation.co.uk

