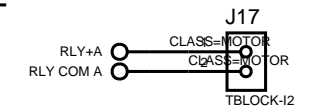
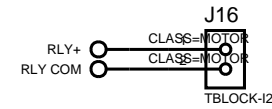
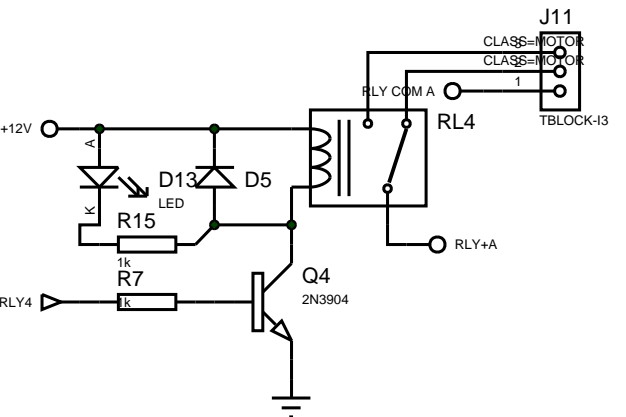
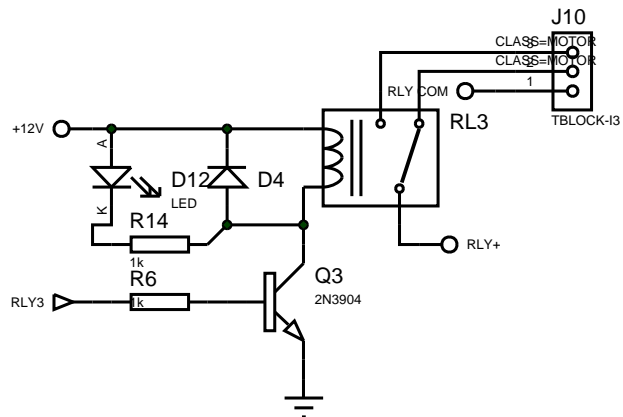
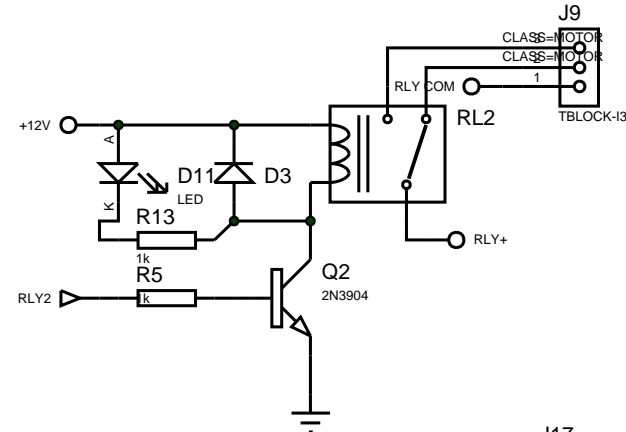
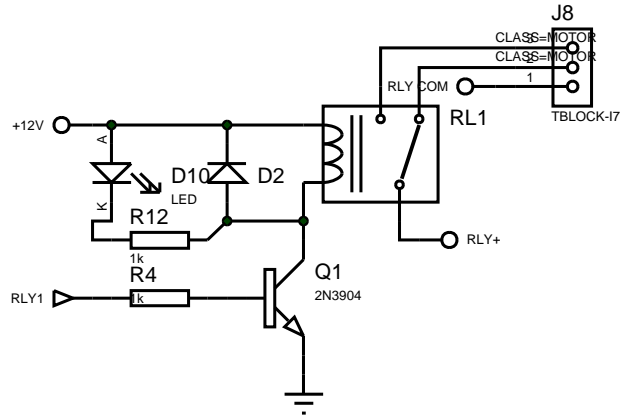


**RKPRelay8 Project PCB Schematic Sheet 1 - [www.rkeducation.co.uk](http://www.rkeducation.co.uk)**

**This PCB has been designed to be compatible with Genie and PICAXE**



**RKPT18 Prototype Project PCB Schematic Sheet 2 - [www.rkeducation.co.uk](http://www.rkeducation.co.uk)**

**This PCB has been designed to be compatible with Genie and PICAXE**

RKPT18 Prototype Project PCB Schematic Sheet 3 - [www.rkeducation.co.uk](http://www.rkeducation.co.uk)

This PCB has been designed to be compatible with Genie and PICAXE

