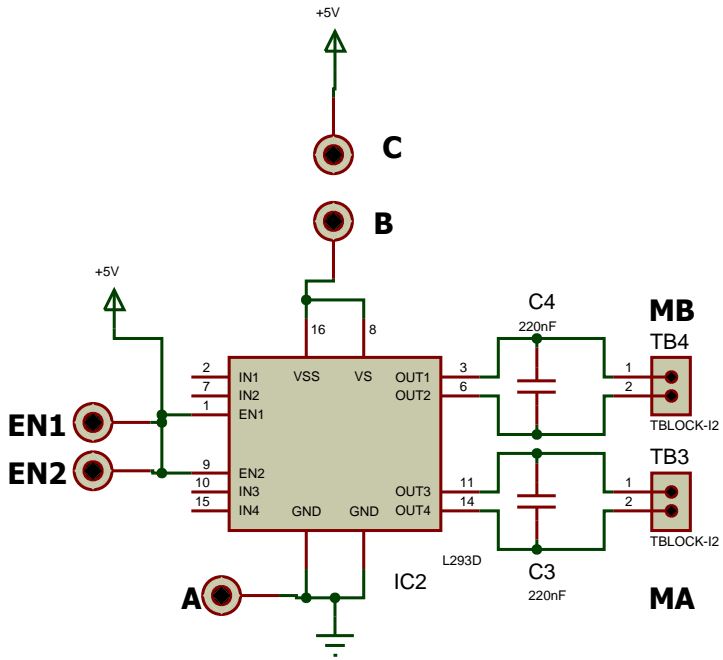
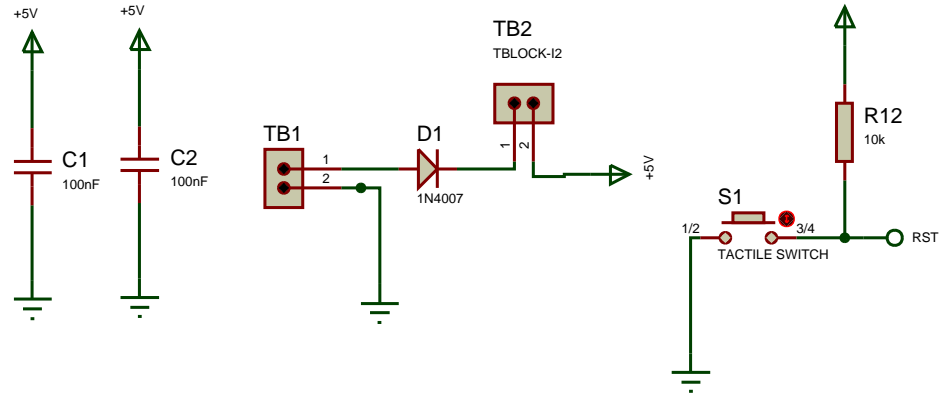
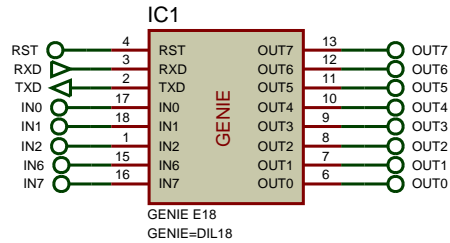
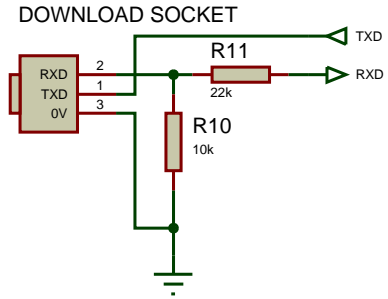
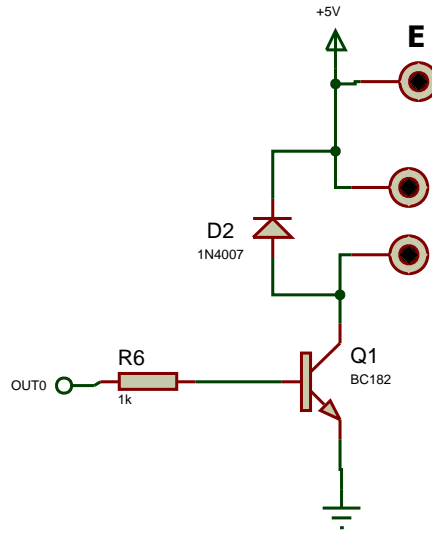


RKP18Motor Project PCB Schematic - www.rkeducation.co.uk

This PCB has been designed to be compatible with Genie and PICAXE



L293D Motor Driver Section



**Transducer driver outputs,
this is repeated for OP2 to OP3**

