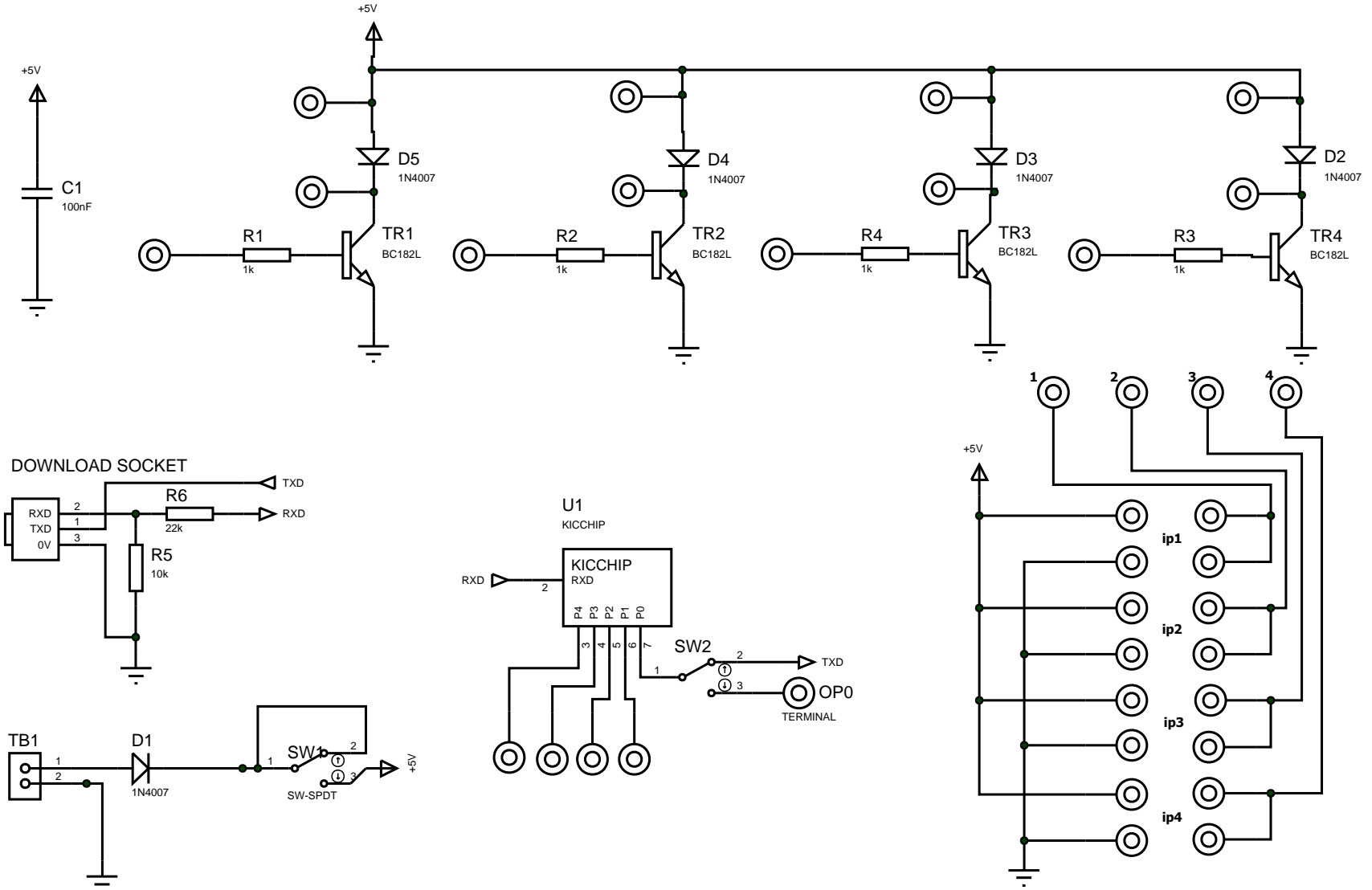


# RKP08 Project PCB Schematic - [www.rkeducation.co.uk](http://www.rkeducation.co.uk)



**This PCB has been designed to be compatible with Genie and PICAXE**