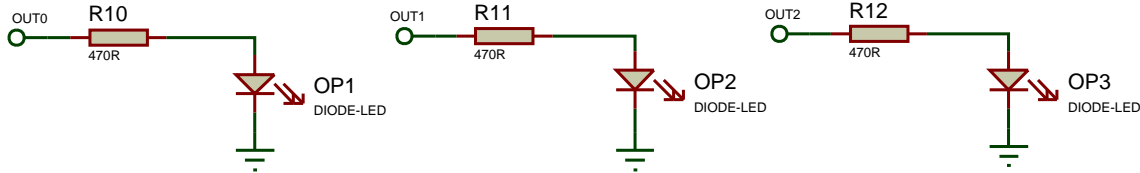
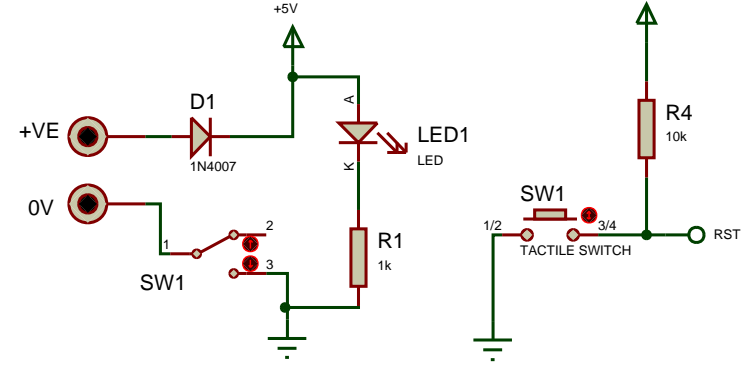
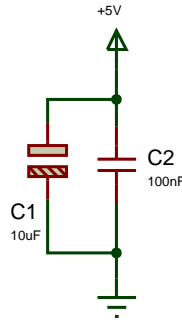
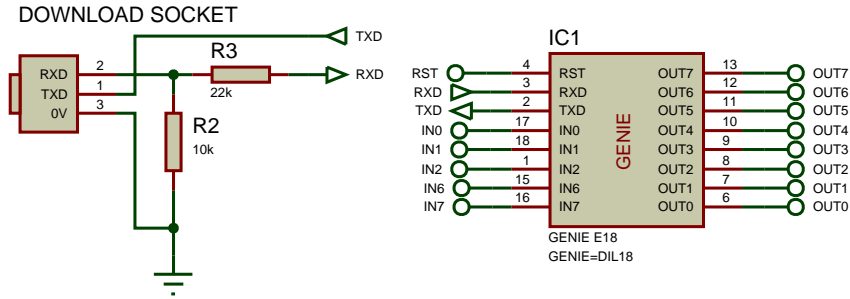
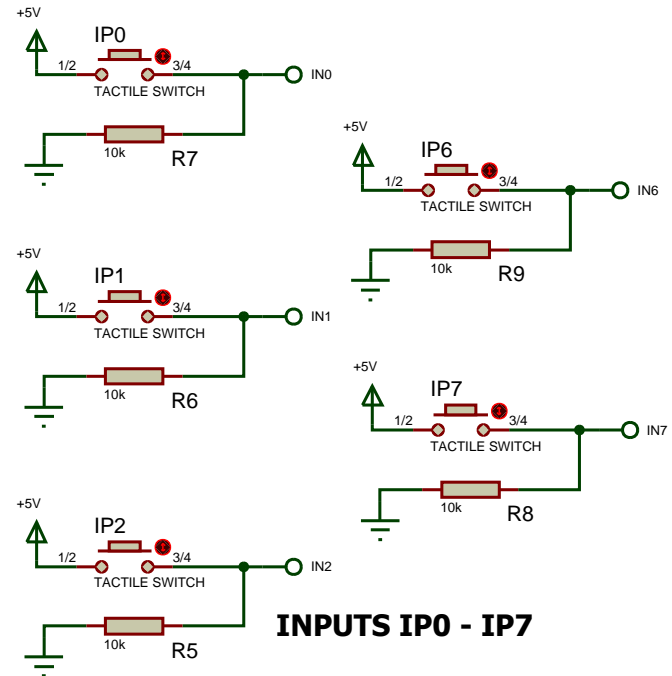
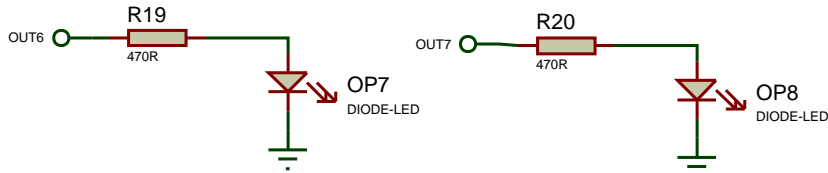
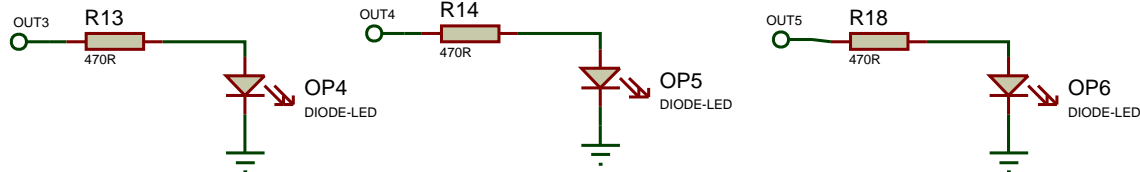


This PCB has been designed to be compatible with Genie and PICAXE



LED Outputs OUT0 - OUT7



INPUTS IP0 - IP7