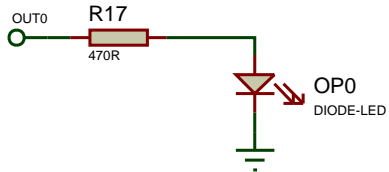
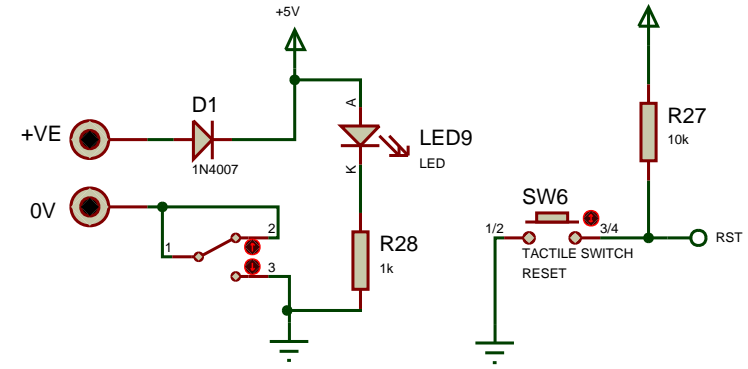
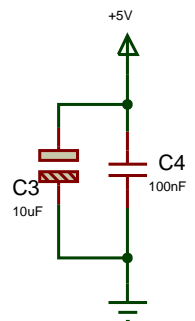
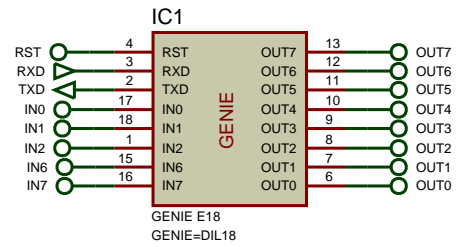
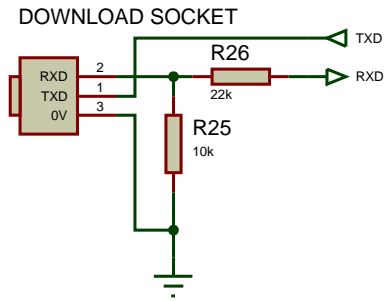
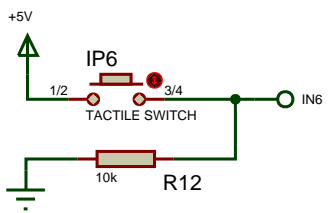


RKOneAnalogue Training PCB Schematic - www.rkeducation.co.uk

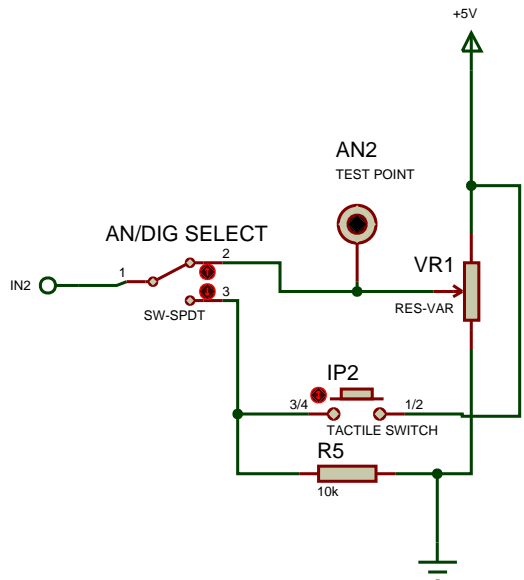
This PCB has been designed to be compatible with Genie and PICAXE



LED Outputs OP1 - OP8
Repeated for OP2- OP8

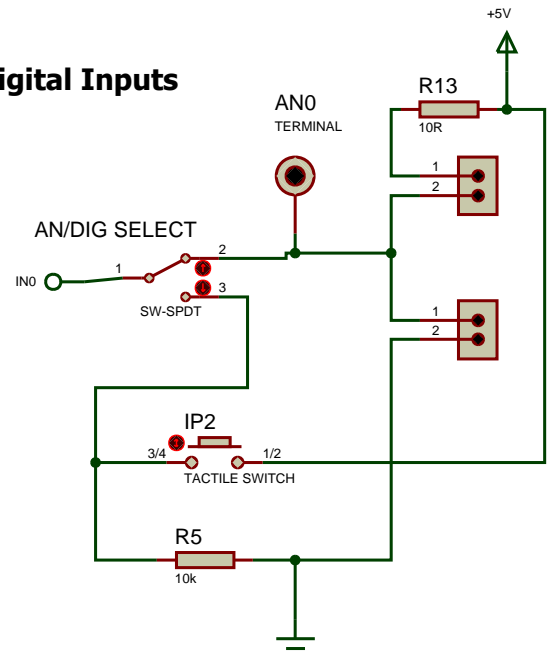


INPUTS IP6 & IP7
Repeated for IP7



Variable Resistor Input - IN2

Analogue/Digital Inputs



Screwless Terminal Block Inputs - IN0 & IN1
Repeated for IN1