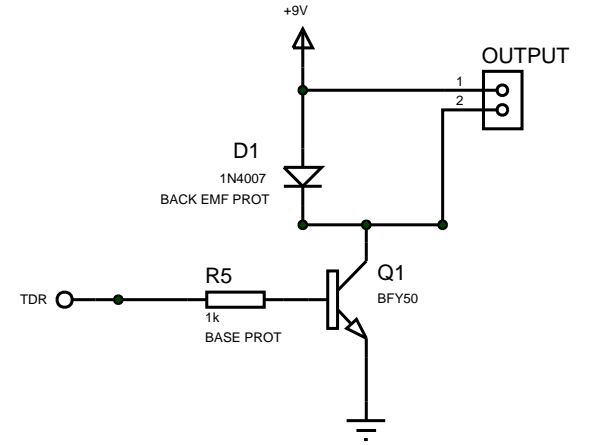
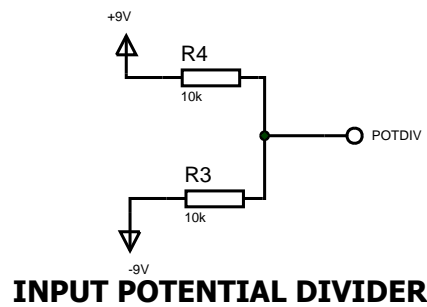
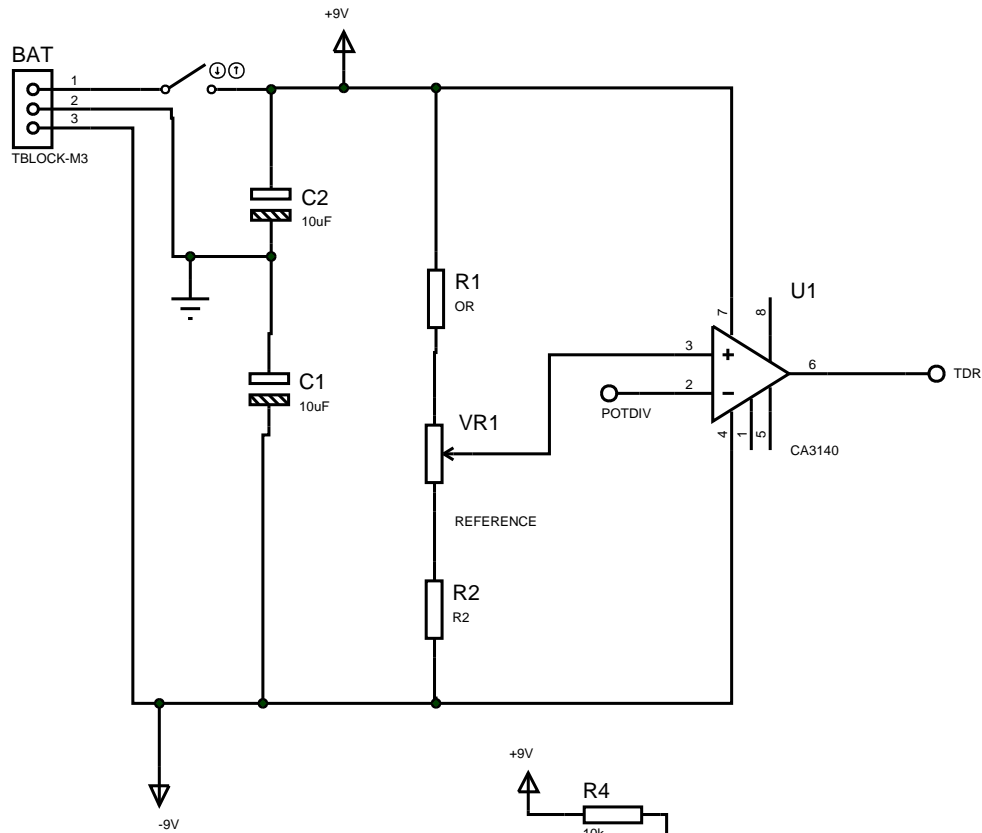
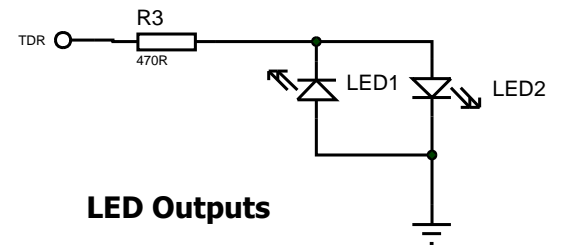


Op-Amp Comparator Project Schematic - www.rkeducation.co.uk



Transducer Driver Circuit



LED Outputs