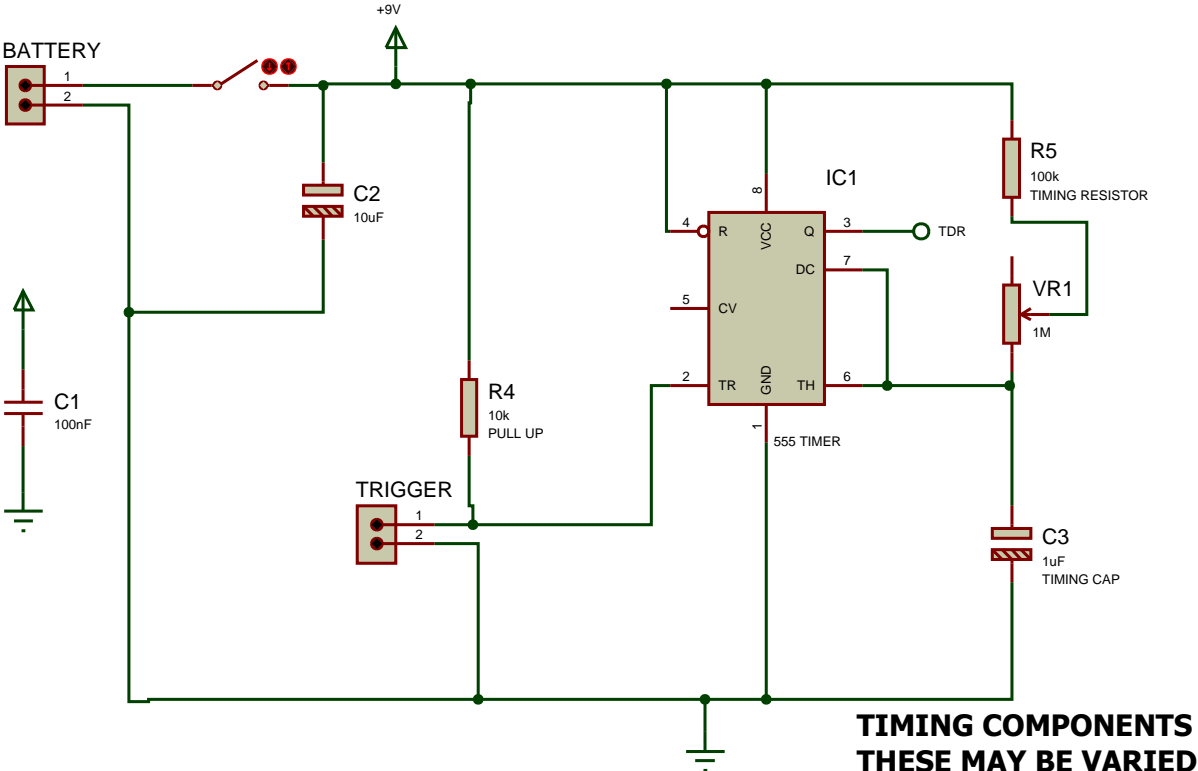
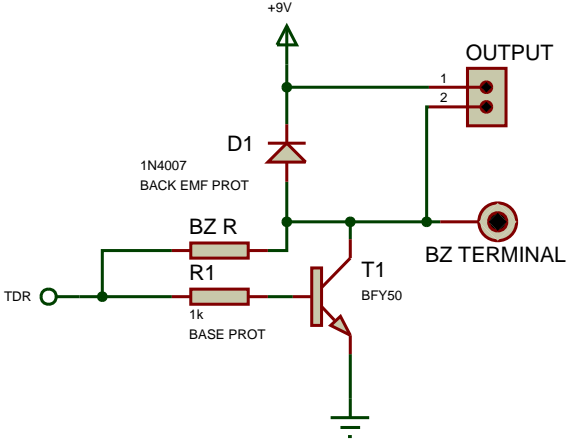


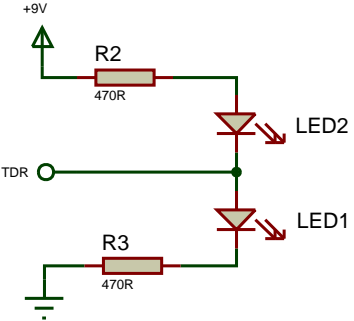
# 555 Monostable Timer Project Schematic - [www.rkeducation.co.uk](http://www.rkeducation.co.uk)



**TIMING COMPONENTS  
THESE MAY BE VARIED**  
 $t(S) = 1.1 (R \times C)$



**Transducer Driver Circuit**



**LED Outputs**