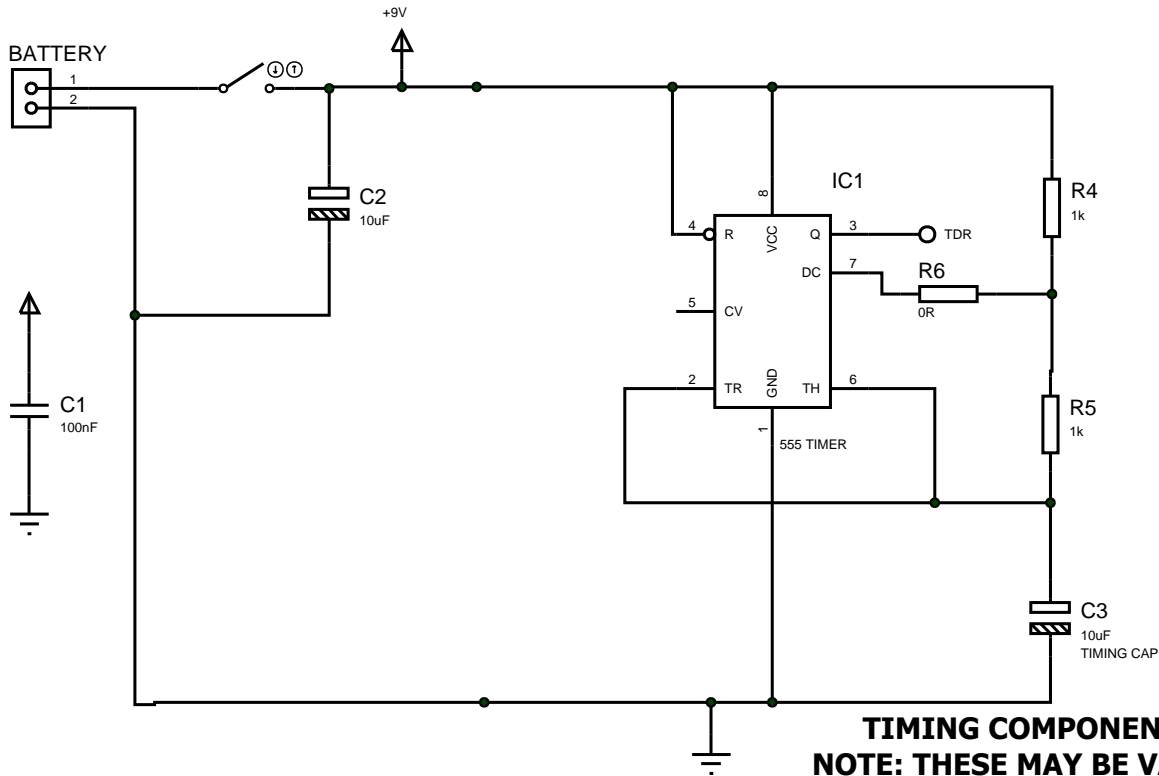
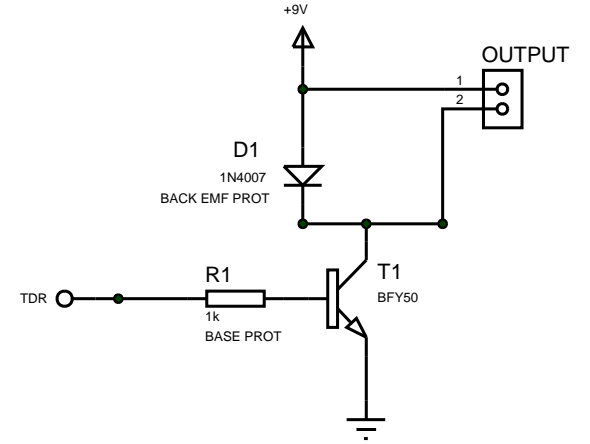


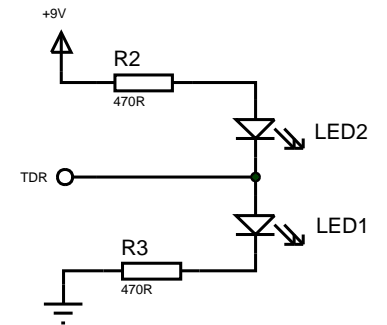
555 Astable Timer Project Schematic - www.rkeducation.co.uk



TIMING COMPONENTS
NOTE: THESE MAY BE VARIED
High time = $0.69 (R1 + R2) \times C$
Low time = $0.69 (R2 \times C)$



Transducer Driver Circuit



LED Outputs